

86
Top deals



NEW

LOCKING TOOL SET
VW-Audi (1.0-1.5 TSI)

3/2025
SOLUTIONS

NEWS + PROMOTION 01.09. - 31.12.2025

MISSION: KLANNPOSSIBLE

Time saving, safe, well thought out tools.

OPERATION BOARD

Made in Germany



TIME SAVING

These tools especially save time and thus real money.



SAFE WORK

With these tools, the focus is particularly on safety during use



ONLY FROM GEDORE

These tools are protected by us by patent, utility model, or design patent



MATERIAL-PROTECTING

These tools protect vehicle or spare parts from damage during removal and installation



COMMERCIAL VEHICLES

These tools are especially developed and suited for the use on commercial vehicles



VANS

These tools are especially developed and suited for the use on vans



PASSENGER CARS

These tools are especially designed and suitable for use on passenger cars

KL-4999-320

WORKSHOP TROLLEY

"Springs and shock absorbers"

NEW

Trolley now also available in anthracite!



Scope of delivery:

- Robust workshop/assembly trolley with four full-extension drawers with ball-bearings
- Stationary spring compressor for safe tensioning of chassis springs on McPherson spring struts
- Internal-type spring compressor with hold-down device for safe tensioning of chassis springs on wishbones and multi-link axles
- Removal and installation aid for pre-tensioning McPherson spring struts with spring strut clamping hole, for a faster removal and installation
- Special sockets for unscrewing and tightening of shock absorber piston rod screw connections on McPherson spring struts
- Special socket spanner for counter-holding defective strut bearing nuts on VAG vehicles
- Spreading tool for damage-free spreading of spring strut clamping holes as well as support joint mounting devices
- Support device for safely supporting wheel suspensions during maintenance work on the chassis
- Including many other accessory parts and supplements

Made in Germany



Universally suitable on chassis systems of passenger cars and vans. Mobile workstation with extensive special tool assortment for fast, efficient maintenance work, especially in the area of spring and shock absorber replacement.



Code	Part No.	Width	Depth	Height	Load capacity (static / dynamic)	Drawer type	Number of drawers	Colour	Contents	Weight
3514021	KL-4999-320	1.200 mm	635 mm	985 mm	1000 / 750 kg	Full extension	4	blue	72	220 kg
3532631	KL-4999-320/AT	1.200 mm	635 mm	985 mm	1000 / 750 kg	Full extension	4	anthracite	72	220 kg

KL-5501 B

STATIONARY SPRING COMPRESSOR

Made in Germany



Universal fit for nearly all McPherson spring struts on the market.

Fits particularly for right or left rising springs, conical springs, eccentric springs, springs with a low number of coils, springs with a high or varying spring pitch, spring struts with pulling shocks as well as for spring struts with electronic control and sensors.

- UNIQUE, QUICK and SAFE, simply BETTER!
- Tensions even the strongest springs - EV vehicles
- Damage-free holding above the damper tube
- Safe tensioning directly via the shock top bearing
- Spring form and pitch completely irrelevant
- No intervention in the spring necessary
- Maximum user safety
- Simplest handling
- One-man operation
- High load capacity
- 4-fold safety



Application video

Code	Part No.	Spring plat Ø (min.)	Spring plat Ø (max.)	Working Travel	Load (max.)	Drive (waf)	Weight
3230503	KL-5501 B	125 mm	220 mm	570 mm	15.000 N	24 mm	46 kg

Accessories:

Code	Part No.	Description
3469344	KL-5501 B Z	Spring Compressor with Mobile Work Stand
3462242	KL-5501-500	Mobile Work Stand for Stationary Spring Compressor
3406059	KL-5501-31	Spring Collar Adaptor Ring, Ø 60 / 90mm
3461068	KL-5501-210	Assembly Set, KL-5501 B, Modulo / adjustable
3479595	KL-5501-41	Protective Cover for Stationary Spring Compressor
3402444	KL-5501-40	Hand Crank for KL-5501 / KL-5501 B

KL-0056-11 EB

SHOCK ABSORBER PISTON ROD TOOL KIT



Fits universally for McPherson struts on passenger cars and vans.

- For quick loosening and tightening of the piston rod nut on McPherson struts
- Extensive range of special sockets and screwdriver bits

Advantages:

- Holder for 5/16" bits
- Holder for 1/4" sockets
- Open bi-hex socket

Suitability: universal



Application video

Code	Part No.	Storage	Width	Depth	Height	Contents	Weight
3462307	KL-0056-11 EB	in a foam insert	370 mm	231 mm	56 mm	23	1.7 kg

KL-0029-20 K

REMOVAL AND MOUNTING AID for McPherson suspension struts (VW-Audi)

Made in Germany



Suitable for McPherson suspension struts especially for VW, Audi, Seat and Škoda vehicles on the MQB, NSF, PQ25 or PQ35 platform.

- Quick removal and installation of the strut by pre-tensioning or reducing the overall length
- Can be used regardless of spring shape or pitch
- No direct intervention into the spring
- No need to loosen axle parts
- No wheel alignment required
- Very high time and cost savings, with maximum user safety
- Also suitable for many other vehicles thanks to additional supplementary kits

Note: The removal and mounting aid must not be used for the disassembling of suspension struts.



Application video

Suitability: **VW** **AUDI** **SEAT** **ŠKODA**

Code	Part No.	Operating stroke	Clamping width (min. - max.)	Load (max.)	Drive (hex)	Storage	Width	Depth	Height	Weight
3477843	KL-0029-20 K	160 mm	250 - 410 mm	17.500 N	27 mm	in a case	500 mm	420 mm	175 mm	13 kg

Additional accessories:

Code	Part No.	Description
3434419	KL-0029-200 K	Removal and mounting aid for McPh. suspension struts (base tool)
3127850	KL-0029-110 A	Upgrade Kit, VW
3275221	KL-0029-160 A	Upgrade Kit Gr.6, (BMW)
3477851	KL-0029-150 A	Upgrade Kit, Ford

KL-0104-21 KB

SPREADER TOOL, ADJUSTABLE, with wedges 1 + 2 + 4 + 5

Made in Germany

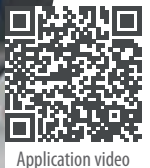
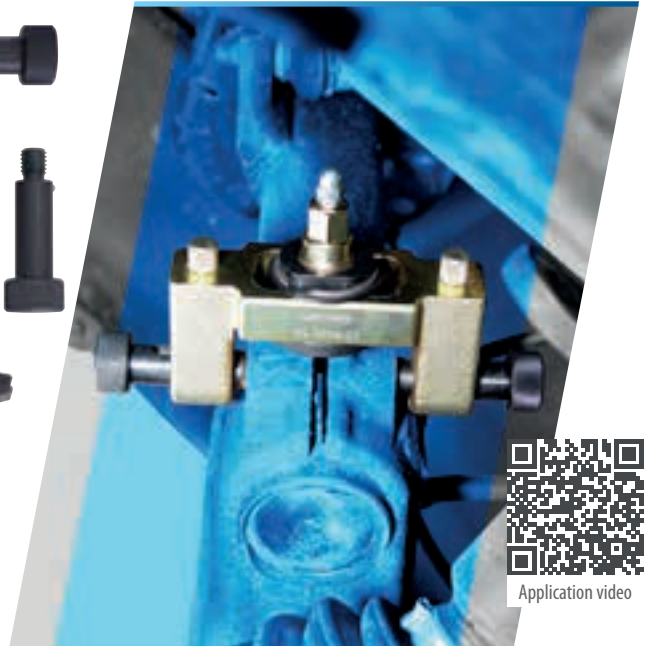


Suitable for suspension strut clamping bores and suspension joint mounts.

- Enables the professional expansion of the suspension strut clamping bore or the lower support joint receiver
- In order to be able to pull out stuck shock absorber units or support joints without damage

Advantages:

- For clamping bore gap of 2 - 16 mm!
- No jamming of the expanding tool!
- No excessive widening of the clamping bore thanks to expansion wedges with stop!
- No damage to the cast or aluminium steering knuckle housing!
- Off-centre clamping slots are no problem!



Application video

Suitability: universal,
especially for:

VW **AUDI** **SEAT** **ŠKODA** **BMW** **MERCEDES** **FIAT** **FORD** **KIA** **RENAULT** **PEUGEOT** **NISSAN** **VOLVO**

Code	Part No.	Expanding dimension	Storage	Weight
3269396	KL-0104-21 KB	a=5.5 mm; b=12.0 mm (wedge 1) / a=2.0 mm; b=8.0 mm (wedge 2) / a=5.5 mm; b=9.5 mm (wedge 4) / a=12.5 mm; b=17.0 mm (wedge 5)	in a case	1.75 kg



KL-0101-60

SPREADING SOCKET SET 1/2"

Suitable for clamping bores on spring struts or wheel bearing housings as well as support joints holders.

- 3-piece kit with special 2-flat profiles
- For a quick and safe spreading of clamping bores
- Spreading by inserting and twisting the socket spanner
- Facilitates the disassembly and assembly of spring struts and support joints

NEW

Content:

- 1x Spreading insert 5x7mm, 1/2"
- 1x Spreading insert 5.5x8.2 mm, 1/2"
- 1x Spreading insert 5.5x11 mm, 1/2"



Suitability: universal

Code	Part No.	Profile	Drive (square)	Contents	Weight
3518558	KL-0101-60	oval	1/2"	3	250 g

Made in Germany



KL-0050-6...

SPECIAL SOCKET STRUT MOUNT, VW

Fits universally for VW-Audi, Seat, and Škoda, with 13 mm (hexagonal or 8-edge) or with 14 mm (hexagon) retaining nuts on the shock top bearing.

- For a professional counter-holding of the retaining nuts on the shock top bearing
- No tearing off of the pressed in retaining nut
- No extensive boring out of the shock top bearing screws
- Also for hard-to-reach parts



Suitability: universal, especially for:

VW AUDI SEAT ŠKODA CUPRA

Code	Part No.	Size (waf)	Profile	Drive (square)	Length
3051412	KL-0050-60	13 mm	hexagon / octagon	3/8"	89 mm
3124479	KL-0050-61	14 mm	12-kant	3/8"	92 mm

KL-8041-400 E

PREMIUM WHEEL BEARING TOOL SET

with foam insert



Suitable for the removal and installation of wheel hub bearing units with Ø 72 / 78 / 82 / 85 / 92 mm, e.g. for VW, Audi, Seat, Skoda, Ford, Mazda, Volvo, etc.

- For the professional removal and installation of wheel hub bearing units
- Especially powerful due to the 17 t hydraulic cylinder

Suitability: universal, especially for:

VW AUDI SKODA SEAT MAZDA VOLVO FORD



Application video

Code	Part No.	Drive type	Load (max.)	Storage	Weight
3449831	KL-8041-400 E	hydraulic	12 t	in a foam insert	30 kg

KL-0041-384

BEAD BREAKER KIT

Universally suitable for 3rd generation screwed wheel bearing units on cars and vans.

- For professional extraction of tight-fitting wheel bearing units directly on the vehicle
- Only in combination with wheel hub extractor KL-0041-3800 A (KL-0041-380 EA)



Made in Germany



Application video



Suitability: universal

Code	Part No.	Drive type	Load (max.)	Weight
3446840	KL-0041-384	hydraulic / mechanical	12 t	4.5 kg

KL-0040-860

WHEEL BEARING TOOL SET, Ford Transit



Suitability: **FORD**

Made in Germany



Suitable for the front axle of Ford Transit/Tourneo (My. 2000-2006 / 2006-2014 / from 2014-...) with front as well as all-wheel drive (bolt circle-Ø at brake disc bolts 97.5 and 111 mm).

- For removing the bolted wheel bearing unit with wheel hub and brake disc
- For removing and pressing in the wheel hub on the wheel bearing unit

Advantages:

- No removal and installation of the wheel bearing housing
- No wheel alignment necessary

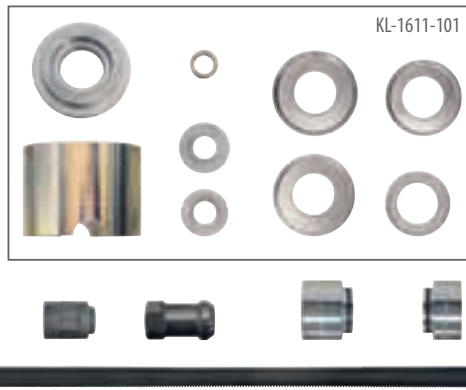


Application video

Code	Part No.	Wheel stud circle	Wheel stud circle (2)	Load (max.)	Drive type	Weight
2372290	KL-0040-860	97.5 mm	111 mm	28 t	hydraulic	4.6 kg

KL-1611-100

WHEEL BEARING TOOL SET, FIAT DUCATO



KL-1611-101

Suitable for Fiat, Peugeot, Citroën and Opel with wheel bearing Ø 90 mm on the front axle. Fitted, for example, on Fiat Ducato III (250 _), Peugeot Boxer II, Citroën Jumper II, Opel Movano C (U9).

- For professional removal and installation of the wheel bearing and retraction of the wheel hub
- No disassembly of the steering knuckle
- No wheel alignment
- Easy removal even if the wheel bearings are very stuck
- Wheel hub must be removed in advance!



Suitability:

CITROEN **FIAT** **OPEL** **PEUGEOT**

Code	Part No.	for outer-Ø (bearing)	Load (max.)	Drive type	Weight
3479463	KL-1611-100	90 mm	28 t	hydraulic	7.8 kg
3479455	KL-1611-101	90 mm	28 t	hydraulic	4.3 kg

Made in Germany



KL-0177-3

DRIVE SHAFT RETRACTION TOOL

Universally suitable for drive shafts, for example in VW, Audi, Seat, Skoda, Porsche, BMW, Mercedes, Opel, Renault, Peugeot, Hyundai, Subaru and many more.

- For drawing drive shafts into the wheel hub
- For compressed drive shafts or drive shafts that are difficult to draw in
- 9x different draw spindles for internal and external threads



Suitability: universal, especially for:

VW **AUDI** **BMW** **MERCEDES**

RENAULT **OPEL** **PEUGEOT**

PORSCHE **SEAT** **ŠKODA**



Code	Part No.	for external thread	for internal thread	Drive type
2406403	KL-0177-3	M16x1,5 M18x1,5 M20x1,5 M22x1,5 M24x1,5 M27x1,5 M30x1,5	M14x1,5 M16x1,5	mechanical

Made in Germany

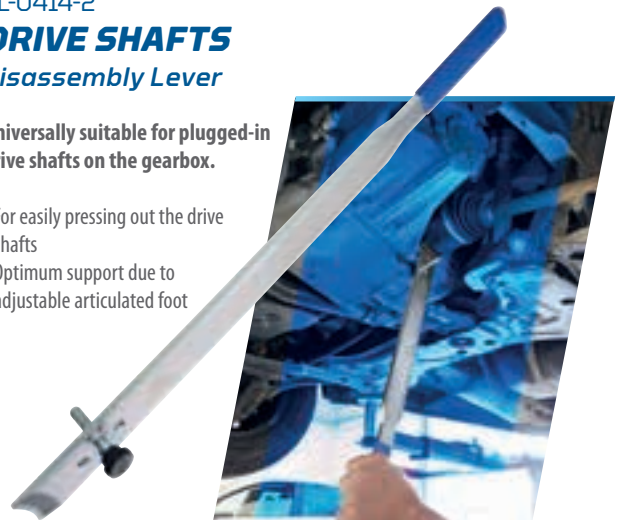


KL-0414-2

DRIVE SHAFTS disassembly Lever

Universally suitable for plugged-in drive shafts on the gearbox.

- For easily pressing out the drive shafts
- Optimum support due to adjustable articulated foot



Code	Part No.	Length	Blade width	Version	Handle material
3421171	KL-0414-2	610 mm	40.0 mm	adjustable	Plastic

KL-0121-880

HOSE CLAMP PLIERS

for steering boots, long version

Made in Germany



Fits universally for ear hose clamps on steering boots of cars and vans.
For a max. ear width of 19.5 mm and max. closing force of 2,400 N.

- For professional tensioning (compressing)
- Exact clamping according to torque specification
- Unique design for particularly hard to reach places



NEW

Suitability: universal



Code	Part No.	Clamping width (max.)	Drive (max.)	Clamping force (max.)	hexagon (counterholding)	Drive (square)	Head width	Length	Weight
3476626	KL-0121-880	20 mm	15 Nm	2,4 kN	24 mm	1/4"	64 mm	595 mm	1 kg

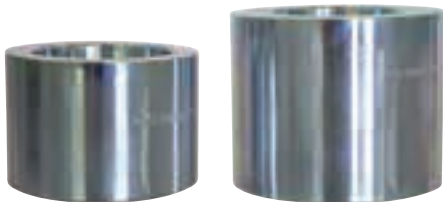
KL-0214-261

SILENT BLOC TOOL, VW-AUDI

Made in Germany



NEW



Suitable for the rear Silent blocs (rubber-metal bearings) on the front axle control arm on VW, Audi, Seat, Škoda and Cupra.

- For professional press-in and press-out directly on the vehicle
- Especially for Silent blocs with outer Ø: 65 mm / inner Ø: 13 mm / height: 50 mm
- No need to replace the complete control arm
- Additional drive parts required (mechanical or hydraulic)!

Suitability:

VW AUDI SEAT ŠKODA CUPRA

Code	Part No.	for outer-Ø (removed)	Drive type	Load (max.)	Weight
3532887	KL-0214-261	65 mm	hydraulic / mechanical	7 t	1 kg

KL-0214-181

SLEEVE SET, VW-AUDI

Made in Germany

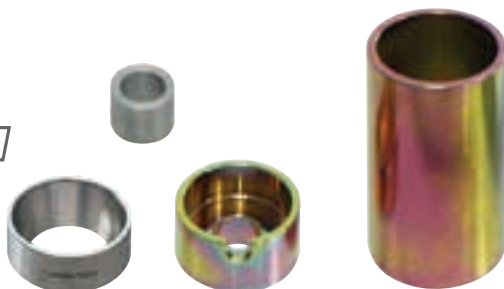


Suitable for VW Golf, Passat, Scirocco, Tiguan, Touran, T-Roc; Audi A3; Seat Leon; Skoda Octavia; etc.

- For a professional removal and installation of the front silent bloc on the wishbone of the front axle
- Hydraulic and mechanical drive possible
- Additional drive parts required!

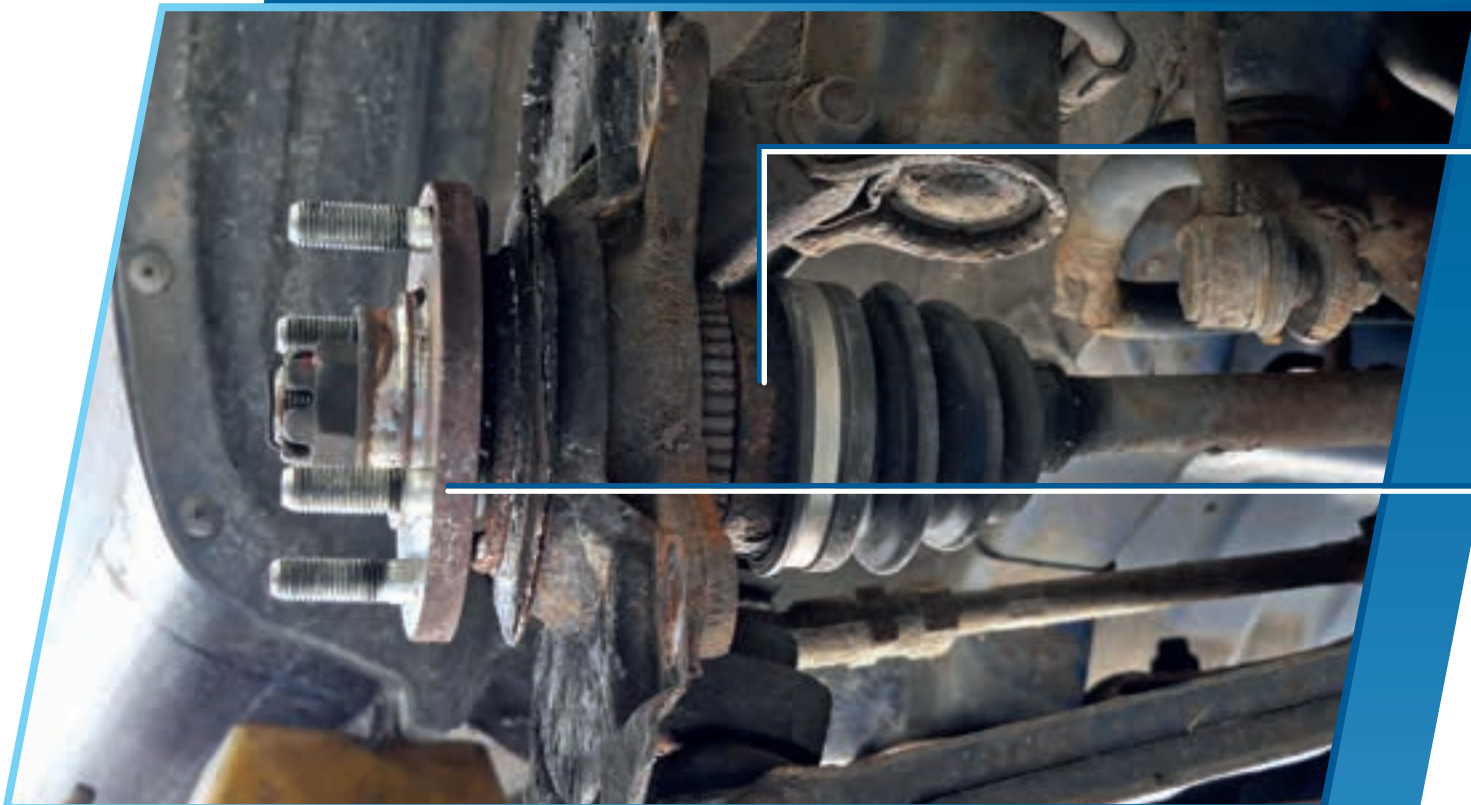
Suitability: **VW AUDI SEAT**

ŠKODA CUPRA

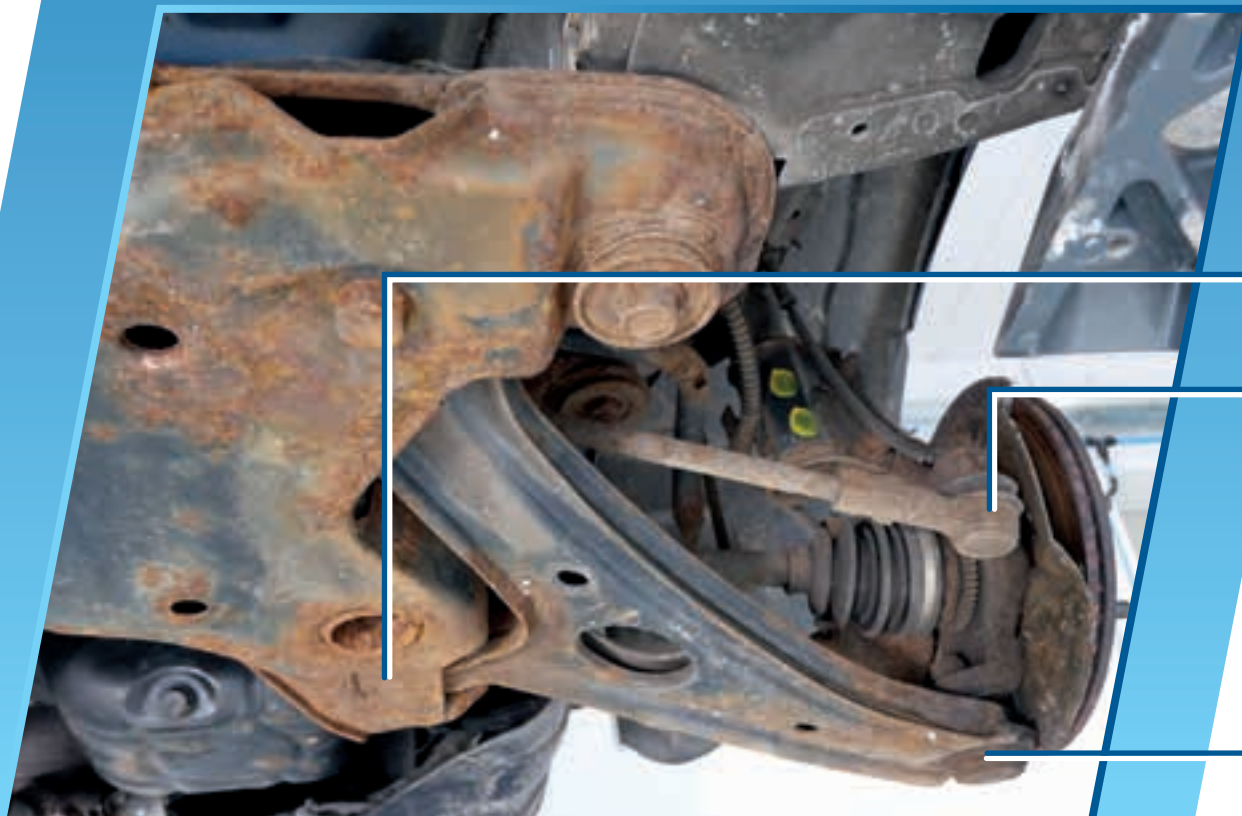


Code	Part No.	Drive type	Weight
2417723	KL-0214-181	hydraulic / mechanical	1.3 kg

MODULO KL-4999-250 / -260 / -270 A



MODULO FOR AXLE REPAIRS:
*Once invested and perfectly
equipped for the future!*

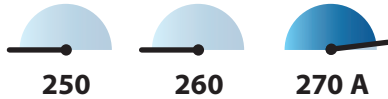


Drive shaft and wheel bearing/hub



Wheel bearing inner ring

- Pulling off bearing inner ring
- for example wheel bearing 1st and 3rd generation



Drive shaft

- Pressing the drive shaft out of the wheel hub
- Drawing the drive shaft into the wheel hub



Generation 1 wheel bearings

- Pulling off wheel hub
- Removal and installation of wheel bearing
- Installation of wheel hub
- for example also **Mercedes Vito/Viano HA, Audi Q7 HA**



Generation 2 wheel bearings

- Removal and installation of wheel hub bearing units
- with and without retainer ring
- without load on the new wheel bearing during installation
- for example **VW-Audi, Ford, Mazda, Volvo, ...**



Generation 3 wheel bearings

- Removal of slightly stuck wheel hub bearing units
- Removal of extremely stuck wheel hub bearing units with **Subaru**, etc.

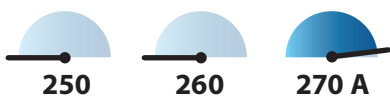


Silent bloc and ball joint



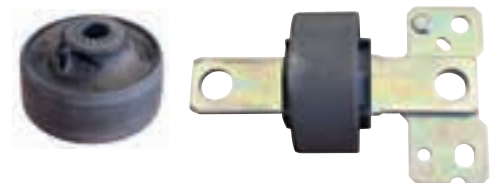
Ball joint connection

- Removing of ball joint connections
- e.g. suspension joint, tie rod, etc.



Suspension joint

- Removal and installation of ball joints directly on the vehicle



Silent bloc

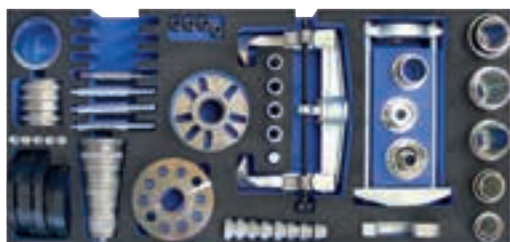
- Removal and installation of the silent blocs directly on the vehicle
- with and without press frame



MODULO ASSEMBLY TROLLEY

KL-4999-250

“MODULO 250” ASSEMBLY TROLLEY



Universally applicable for repairs on wheel bearings, steering and axle systems on passenger cars and vans. The ideal, mobile workstation for quick and organized maintenance work.

Content / range of application:

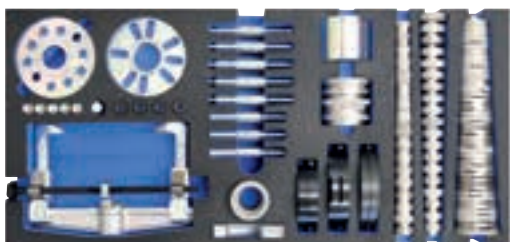
- Various drive parts for operating the tool kits
- Forcing out and forcing in of wheel bearings and wheel hubs
- Removal and forcing in of wheel hubs / wheel bearing units
- Pulling off wishbones from the suspension joint clamping bore
- Forcing out bonded and jammed joint shafts
- Various helpful hand tools

Suitability: Universal

Code	Part No.	Width / Depth / Height	Load capacity (static / dynamic)	Number of drawers	Colour	Contents	Weight
3413349	KL-4999-250	1,200 / 635 / 985 mm	1,000 / 750 kg	4	blue	127	215 kg
3532658	KL-4999-250/AT	1,200 / 635 / 985 mm	1,000 / 750 kg	4	anthracite	127	215 kg

KL-4999-260

“MODULO 260” ASSEMBLY TROLLEY



Universally applicable for repairs on wheel bearings, steering and axle systems on passenger cars and vans.

The ideal, mobile workstation for quick and organized maintenance work.

Content / range of application:

- Various drive parts for operating the tool kits
- Forcing out and forcing in of wheel hub/bearing units
- Pulling off wishbones from the suspension joint clamping bore
- Forcing out and forcing in of wheel bearings and wheel hubs
- Forcing out bonded and jammed joint shafts
- Forcing out and forcing in of suspension/ball joints, silent blocs and joint bearings
- Pulling off stuck screwed wheel bearing units
- Including helpful hand tools

Suitability: Universal

Code	Part No.	Width / Depth / Height	Load capacity (static / dynamic)	Number of drawers	Colour	Contents	Weight
3423468	KL-4999-260	1,200 / 635 / 985 mm	1,000 / 750 kg	4	blue	189	245 kg
3532666	KL-4999-260/AT	1,200 / 635 / 985 mm	1,000 / 750 kg	4	anthracite	189	245 kg

MODULO now also available in anthracite!



KL-0215-35 M25

HYDRAULIC HAND PUMP with pressure gauge, 17 t

Suitable for hydraulic cylinder KL-0040-2500 and KL-0040-1700.

- Can be used as hydraulic cylinder drive
- With ton scale for controlled working

Suitability: Universal

Code	Part No.	Pressure (max.)
2478641	KL-0215-35 M25	700 bar



KL-0215-36 M25

HYDRAULIC PUMP, air-operated, 17 t

- Can be used as hydraulic cylinder drive
- Compressed air is used for driving
- Foot pedal with three positions for pumping, holding and relieving
- Both hands are free for the work

Suitability: Universal

Code	Part No.	Pressure (max.)	Operation
2478706	KL-0215-36 M25	700 bar	8 -

Universally applicable for maintenance work on wheel bearings, steering and axle systems on passenger cars and vans.

Made in Germany



KL-4999-270 A "MODULO 270 A" ASSEMBLY TROLLEY

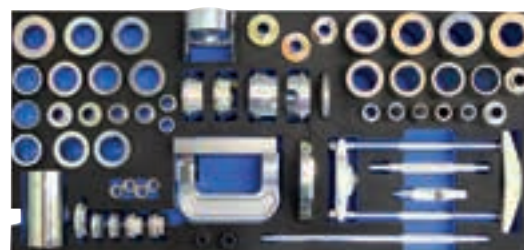
Universally applicable for wheel bearings, steering and axle systems
Repairs of cars and vans.
The ideal, mobile workstation for quick and organized maintenance work.

Content / range of application:

- Various drive parts for operating the tool kits
- Forcing out and forcing in of wheel bearings and wheel hubs
- Forcing out and forcing in of wheel hub/bearing units
- Pulling off wishbones from the suspension joint clamping bore
- Forcing out bonded and jammed joint shafts
- Forcing out and forcing in of suspension/ball joints, silent blocs and joint bearings
- Pulling off stuck screwed wheel bearing units
- Counterholding of wheel hubs when loosening and tightening the wheel bearing central bolt
- Pulling off stuck wheel bearing inner rings from the wheel hub
- Compressing of lug clamps and locking of stepless tension clamps
- Forcing off ball joint connections on steering and axle systems
- Loosening and tightening of inner tie rod joints or axial joints
- **Reshaping of stud bolt threads on the wheel hub**
- **Drawing in cardan shafts**
- Including helpful hand tools

Suitability: Universal

Hydraulic hand pump included



Code	Part No.	Width / Depth / Height	Load capacity (static / dynamic)	Number of drawers	Colour	Contents	Weight
3460606	KL-4999-270 A	1,200 / 635 / 985 mm	1,000 / 750 kg	4	blue	234	275 kg
3532674	KL-4999-270 A/AT	1,200 / 635 / 985 mm	1,000 / 750 kg	4	anthracite	234	275 kg

Drive type	Weight
manual / hydraulic	7.5 kg



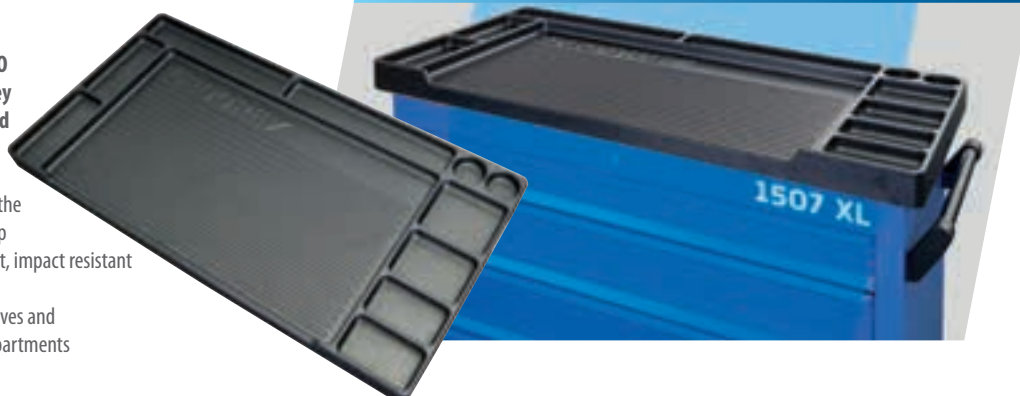
KL-4999-1280 SURFACE-MOUNT WORKTOP (KL-4999-120 A / -121 A)

Made in Germany



Fits the MODULO workshop trolley KL-4999-12x and 1507 XL.

- To be placed on the wooden worktop
- Extremely robust, impact resistant and oil resistant
- With 2x can shelves and 8x storage compartments



Code	Part No.	Inner plate dimension	Material	Weight
3428001	KL-4999-1280	1202 x 639 mm	Impact and oil resistant ABS hard plastic	3.2 kg

Working pressure	Drive type	Weight
12 bar	pneumatic / hydraulic	8 kg

KL-0626-11

PRESS BRACKET SET for ball joints, Ford Transit

Made in Germany



Suitable for the lower suspension joints on the front axle of Ford Transit with front or rear-wheel drive. Not suitable for vehicles with all-wheel drive or reinforced chassis!

No removal of brake disc or drive shaft

- For professional replacement of the lower suspension joints
- Pressing out and press in directly on the vehicle
- No removal of brake disc or drive shaft
- To be used similarly to OEM no. Ford 204-288A
- Additional drive parts required (mechanical or hydraulic)!



NEW



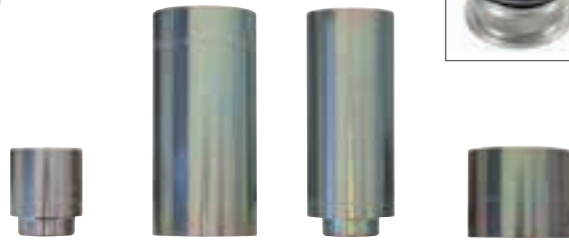
Suitability: **FORD**

Code	Part No.	Drive type	Weight
3533212	KL-0626-11	hydraulic	6 kg

KL-1210-221 A

SUSPENSION BALL JOINT TOOL SET, Renault/Dacia

Made in Germany



Suitable for suspension joints on Renault and Dacia front axles.

- For professional removal and installation on the control arm
- Also for suspension joints with locking collars (e.g. SIDEM)
- Saves a lot of time
- Can be used directly on the vehicle
- Additional drive parts required (mechanical or hydraulic)!

Note: The sleeve set KL-1210-221 A can alternatively also be used on a corresponding stationary press.

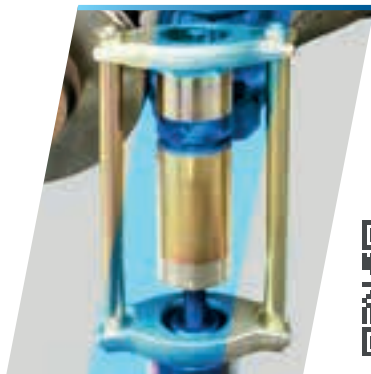
Suitability: **DACIA** **RENAULT**

Code	Part No.	Drive type	Weight
3527999	KL-1210-221 A	hydraulic / mechanical	1.6 kg

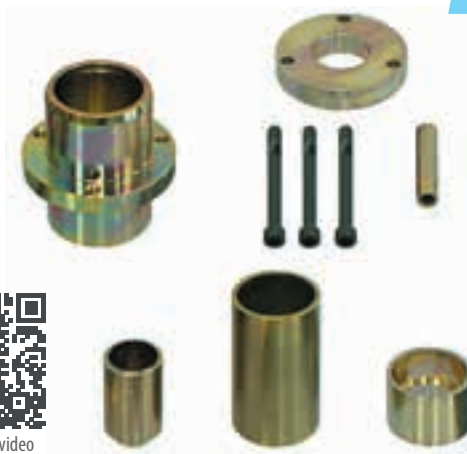
KL-0039-7533

SLEEVE SET, Mercedes Sprinter / VW Crafter

Made in Germany



Application video



Suitable for Mercedes Sprinter (W901 - W907) and VW LT / Crafter (2D, 2E, 2F) front axle.

- For a quick and secure removal and installation of the suspension joint on the front lower wishbone
- No removal of the wishbone required
- Additional drive parts (mechanical or hydraulic) required!

Suitability: **VW**
MERCEDES



Code	Part No.	Drive type	Weight
2489708	KL-0039-7533	hydraulic / mechanical	5.1 kg

KL-0169-1 B

TRACK ROD ADJUSTMENT TOOL

Made in Germany



Fits universally for passenger car tie rods with a tube diameter of 11- 23 mm.

- For easily loosening or turning tight-fitting tie rods
- With removable hand tube for confined spaces
- Material-protecting due to wide gripper jaws

Suitability: universal

Code	Part No.	for Ø (min.)	for Ø (max.)	Length base tool	Length	Weight
3283674	KL-0169-1 B	11 mm	23 mm	250 mm	420 mm	1.6 kg

KL-0112-92 K

BRAKE CALIPER TOOL SET, incl. special nut for the RS/Q7



Universal fit for brake calliper screw connections on all common vehicle brands.

- Full range with all relevant special and non-standard inserts
- Exclusive selection of special profiles for Audi, Porsche and Mercedes
- Optimised hexagon socket inserts with ball head for easier accessibility
- Includes special profile inserts in 5-, 7- and 10-sided designs
- Compatible with one-piece and two-piece brake calipers

NEW



Content:

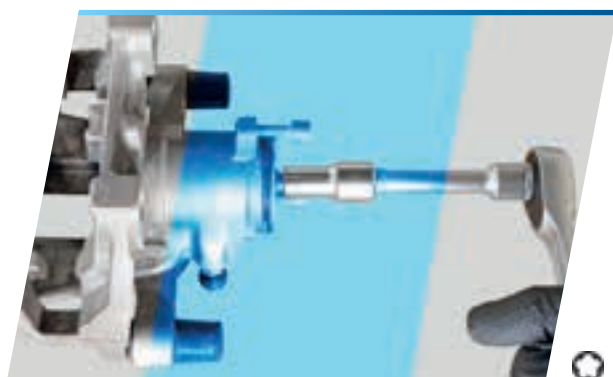
- Screwdriver bits with ball head
- Special screwdriver bits
- Screwdriver bits, short
- Special socket spanner inserts



Code	Part No.	Drive (square)	Storage	Contents	Weight
3518264	KL-0112-92 K	1/4" 3/8" 1/2"	in case	18	1.5 kg

KL-0221-100

SOCKET, 3/8", ERP



Suitable for rear axle brake calipers with electric parking brake on VW-Audi vehicles.

- Special socket with 5-tooth special profile
- For professional turning back of the brake caliper to its original position
- Required before installing the electric parking motor

Suitability: universal, especially for:



Code	Part No.	Profile	Drive (square)	Length	Weight
3478424	KL-0221-100	EPB (5-tooth)	3/8"	40 mm	50 g

KL-0186-80 K

PNEUMATIC INJECTOR EXTRACTOR, in patented protective housing



Universal fit for BOSCH and DELPHI diesel injectors with M17x1 female thread and M14x1.5 male thread, for example on PSA, Fiat, Mercedes, VW-Audi, Renault, Nissan, Opel, Toyota, etc.
Suitable for other injectors with the supplementary kits KL-0186-128x A or KL-0186-9x.

- For quick, semi-automatic extraction of tight-fitting injectors
- Extremely high impact frequency for loosening coking and rust
- Compact design for confined spaces
- Internal impact weight for high safety
- CE certified safety: No exposed, moving parts
- Safety shut-off: Shut-off by releasing the hand switch
- Suitable for many other injectors due to the supplementary kits KL-0186-128x A or KL-0186-9x



Suitability: universal, especially for:



Code	Part No.	for injectors from	for internal thread	for external thread	for engine type	Mounting thread	Drive type	Storage	Weight
3461602	KL-0186-80 K	Bosch / Delphi	M17x1	M14x1.5	Diesel	M16x1.5	pneumatic	L-BOXX	6 kg

KL-0186-903

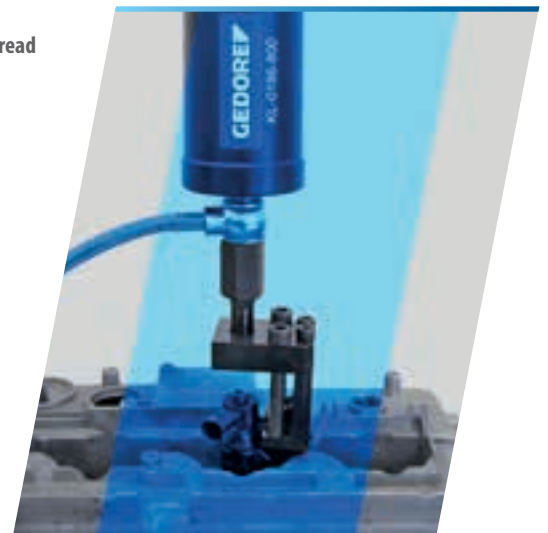
INJECTOR EXTRACTOR SET, supplement to pneum. injector extractor

Made in Germany



Universally fits Bosch and Siemens/VDO injectors with a removable fuel connection with M12x1 internal thread (45° angled). E.g. on VW-Audi, BMW, Mercedes and PSA.

- For professional extraction of stuck injectors
- Suitable for many other injectors thanks to the KL-0186-9x expansion kits
- Only in combination with KL-0186-80 K



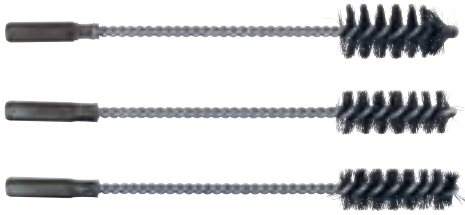
Suitability: universal, especially for: MERCEDES PSA VW AUDI SEAT ŠKODA BMW

Code	Part No.	for injectors from	for internal thread	Angle	for engine type	Drive type	Weight
3461610	KL-0186-903	Bosch, Continental, Siemens/VDO	M12x1	45°	Diesel	pneumatic	1.1 kg

KL-0186-540 E

INJECTOR BORE CLEANING KIT

Made in Germany



Universal fit for Diesel engines.

- For easy cleaning of the injector bore

Suitability: universal

Code	Part No.	for motor type	Storage	Width	Depth	Height	Weight
3415252	KL-0186-540 E	Diesel	in a foam insert	272 mm	189 mm	50 mm	450 g

KL-0186-24

INJECTOR EXTRACTOR, Mercedes OM642

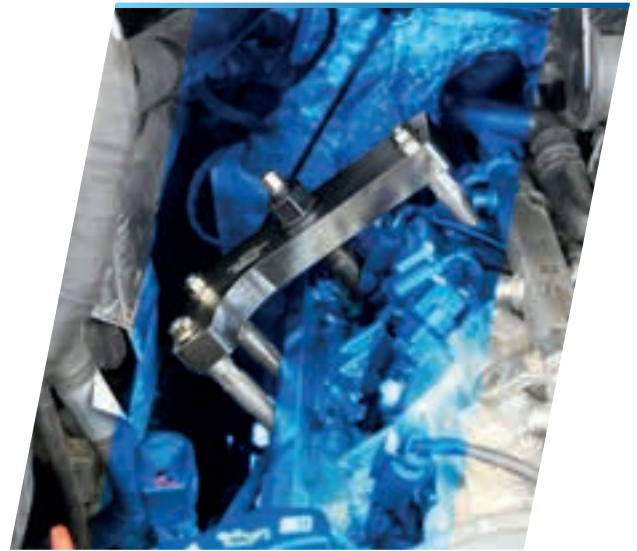
Made in Germany



Suitable for Mercedes-Benz, Chrysler and Jeep with 3.0 litre 6-cylinder diesel engines of the OM642 series.

- For removing injectors directly from the vehicle
- Even distribution of force
- Ideal for extremely stuck injectors
- Without removing the cylinder head
- Compact design for confined spaces
- No lowering of the engine necessary
- Alternative solution to the Mercedes-Benz OEM tool:
W355589016300 + W642589013300

NEW



Suitability: **CHRYSLER** **JEEP** **MERCEDES**

Code	Part No.	for external thread	for engine type	Drive type	Drive (hex)	Length	Width	Weight
3475581	KL-0186-24	M14x1.5	Diesel	mechanical	24.0 mm	185 mm	90 mm	2 kg

KL-4021-400...

SCREWDRIVER BIT SOCKET, 3/8"



KL-4021-4005

Especially suitable for oil tank screw connections of VW, Audi, Seat and Skoda.

- For loosening and tightening of hexagon socket head screws that are difficult to access
- Sturdy ball head profile
- Extra-long round shank

NEW



KL-4021-4005

KL-4021-4006

Particularly on the gearbox flanged shaft on VW, Audi, Seat and Skoda, especially also on the insert shaft of the 4-Motion all-wheel drive angular gearbox.

- For loosening and tightening of hexagon socket screws that are difficult to access
- Extra-long shaft



KL-4021-4006



Suitability: universal, especially for: **VW** **AUDI** **SEAT** **ŠKODA**

Code	Part No.	Size (waf)	Profile	Drive (square)	Load (max.)	Version	Length	Weight
3468135	KL-4021-4005	5 mm	Hexagon	3/8"	50 Nm	with ball head	300 mm	150 g
3468143	KL-4021-4006	6 mm	Hexagon	3/8"	50 Nm	without ball head	350 mm	150 g

3550-UK-LS4

TORQUE WRENCH

TORCOFLEX UK Set 1/2" 40-200 Nm

Made in Germany



Better readability because of magnifying effect



Application video

- Wrench sockets for the machine-operated disassembly of wheel bolts/nuts
- Tightening range of 40-200 Nm with test certificate
- Better readability of setting because of magnifying effect
- Reversible ratchet with clockwise and anti-clockwise rotation
- Triggering accuracy of +/- 4 % tolerance of the set scale value
- Wrench sockets with plastic sleeves for working without causing any damage
- Available in AF 17, 19 and 21 with colour coding



Code	Part No.	Drive (square)	Torque (min.)	Torque (max.)	Vernier	Precision	Tightening direction	Length	Width	Height	Weight
3107027	3550-UK-LS4	1/2"	40 Nm	200 Nm	1 Nm	+/- 3 %	Right	499 mm	44 mm	44 mm	2.4 kg



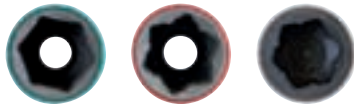
KL-0100-80 K

SPECIAL IMPACT SOCKET SET

1/2", 3-part

Suitable for Mercedes, Tesla, Hyundai and Kia with special profile.

- For loosening and tightening wheel bolts
- Slim version with plastic sleeve



Suitability:

HYUNDAI **KIA** **MERCEDES** **TESLA**



Code	Part No.	Profile	Drive (square)	Contents
3427692	KL-0100-80 K	Special profiles	1/2"	3



KL-0100-81 K

IMPACT SOCKET SET,

half sizes, 1/2", 6-part

Suitable for wheel studs/bolts with half sizes 16.5 - 21.5 mm (waf).

- For loosening and tightening wheel bolts / nuts
- Required for damaged chrome bolts / nuts
- Half a spanner size smaller in case of missing chrome cap
- Half a spanner size larger in case of extended chrome cap (corrosion)



Suitability: universal, especially for: **FORD** **JEEP** **RANGE ROVER**

Code	Part No.	Profile	Drive (square)	Contents
3427773	KL-0100-81 K	hexagon	1/2"	6

KL-0173-4620 K

THREAD RE-FORMING TOOL SET



THREAD RESET



- Thread re-forming tool set for threads M3-M16
- Infinitely adjustable base carrier
- Thread is deformed back to its original geometry with absolutely no cutting by rolling
- Strength of the thread is completely retained
- In a practical plastic case with insert

Suitability: universal

NEW

Code	Part No.	for Thread	Thread type	Pitch	Weight
3291375	KL-0173-4620 K	M3 - M16	Right-hand thread	0,8 mm; 1,0 mm; 1,25 mm; 1,5 mm; 1,75 mm; 2,0 mm	1.1 kg

KL-0173-601 A

RE-THREADING TOOL SET

for wheel studs (M12x1.25 + M14x1.5)



Universally applicable on wheel studs and wheel bolts with M12x1.25 and M14x1.5 thread.

- Quick and cost-saving rethreading of damaged threads
- The thread is formed back to its original geometry
- No material is removed in the process
- The strength of the wheel studs or the wheel bolts is completely maintained
- Compact design



Suitability: universal

Code	Part No.	for Thread	Drive (hex)	Weight
3461904	KL-0173-601 A	M12x1.25 M14x1.5	41 mm	430 g

THREAD RESET®



Application video

KL-0173-612 A

RE-THREADING TOOL

for wheel studs (M12x1.5)

Universally applicable on wheel studs and wheel bolts with M12x1.5 thread.

- Quick and cost-saving rethreading of damaged threads
- Thread is remoulded to its original geometry
- No material removal
- Strength of the wheel bolts/screws is retained
- Compact design
- Including pipe socket wrench 41 mm (waf)
- Thread size covers approx. 80 % of vehicles with wheel studs!



Suitability: universal

Code	Part No.	for Thread	Drive (hex)	Weight	Weight
3461874	KL-0173-612 A	M12x1.5	41 mm	240 g	240 g

KL-0115-100

WHEEL HUB/RIM FLANGE GRINDER



Universal use on wheel hubs as well as steel and aluminium rims on cars and vans.

- For quick cleaning of the wheel hub and the rim contact surface
- Solid corrosion residues can be removed easily
- Includes 1 x wheel hub disc, 1 x rim flange disc



Suitability: universal

Code	Part No.	Description	Drive (hex)	Speed (max.)	Outer Ø	Ø	Weight
3463893	KL-0115-100	Wheel hub/rim flange grinder	7/16"	1500 ~U/min	160 mm	-	700 g
3463907	KL-0115-1001	Spare disc set, wheel hub, 3 pcs.	-	1500 ~U/min	160 mm	Inner-Ø 75 mm	500 g
3463915	KL-0115-1002	Spare disc set, rim flange, 3 pcs.	-	1500 ~U/min	160 mm	Outer-Ø (2) 50 mm	700 g

Made in Germany



KL-0115-200

WHEEL HUB GRINDER

for studs, cars and vans

Universal use on wheel hubs with wheel studs on cars and vans.

- For quick cleaning of the rim contact surface
- Solid corrosion residues can be removed easily
- Patented quick-change holder for precise centring between the base body and the grinding disc



Code	Part No.	Drive (square)	Outer Ø	Outer Ø (2)	Weight
3463931	KL-0115-200	1/2"	50 mm	40 mm	500 g



KL-0101-120

ADHESIVE WEIGHT REMOVER

Universally applicable for balancing work on aluminium rims, inner linings, trims and much more.

- For easy removal of adhesive weights on aluminium rims
- Extremely flexible, 3-sided plastic blade
- No damage to the paintwork
- Sturdy handle for using a hammer



Code	Part No.	Blade shape	Blade length	Blade width	Blade thickness	Length
3463869	KL-0101-120	Flat	150 mm	20.0 mm	7.5 mm	305 mm

KL-0101-121

ADHESIVE ERASER DISC SET, 2 PCS.



For universal use on aluminium rims and other metallic surfaces.

- For easy removal of adhesive residues
- Easy to use with conventional axial grinders, cordless screwdrivers or drills
- Mounting with 5/16" thread or the Ø 9 mm drill chuck adapter



Code	Part No.	Mounting thread	Mounting diameter	Speed (min.)	Speed (max.)	Outer Ø	Weight
3463877	KL-0101-121	5/16"	9 mm	500 ~U/min	1000 ~U/min	60 mm	300 g

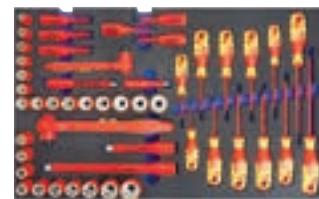
KL-4600-200

TOOL TROLLEY

with a high-voltage range, 103 pcs.

- The perfect tool kit for maintenance and repairs on hybrid and electric vehicles
- Suitable for vehicles of all manufacturers
- All tools are protective insulated to EN 60900/EC 60900
- **Tool trolley:** Side walls with Euro perforation, externally mounted heavy-duty chassis, ball-bearing guide rails, and central lock
- **Includes:** digital voltage tester, 3/8" VDE torque spanner, safety lock, sockets and ratchet 3/8" and 1/2" and many more

Made in Germany



Suitability: universal



Code	Part No.	Width	Height	for engine type	Load capacity (static)	Load capacity (dynamic)	Drawer type	Number of drawers	Colour	Weight
3415740	KL-4600-200	475 mm	985 mm	Electric / Hybrid	900 kg	650 kg	full extension	6	red	96 kg

KL-0860-100

BRAKE FLUID TESTER



Can be used universally on conventional DOT 3, DOT 4 and DOT 5.1 glycol-based brake fluids.

- For professional testing of water content in the brake fluid
- Quick and precise measurement of the water content in %
- High measuring range from 0.1 % to 6.0 %
- Simple operation
- 2" LCD display with backlighting
- Visual and audible alarm function
- Measuring probe dust and water protected to IP67
- Power supply with 9V battery (not included!)

Code	Part No.	Measuring range (min. - max.)	Display	Length (cable)	Wire Ø	Temperature range	Length	Weight
3467058	KL-0860-100	0.1 - 6%	2,0"	270 mm	5.9 mm	-10 °C - +50 °C	450 mm	120 g

KL-0880-20

INFRARED THERMOMETER

Universally applicable, e.g. in the industrial, construction and automotive sectors.

- For quick, non-contact temperature measurement
- Also for hard-to-reach objects and liquids
- Robust infrared thermometer in industrial quality
- High temperature measuring range from -50 to +550 °C
- Very high measuring accuracy due to adjustable emissivity detection
- Red 12-point laser target detection (can be switched off)
- Illuminated 1.5" LCD colour display
- Measured value hold function with min/max recording
- Adjustable LED warning light when temperature limit value is under/exceeded



Code	Part no.	Measuring range (min.)	Measuring range (max.)	Measuring accuracy	Measurement duration	Display	Laser colour	Adjustable emissivity	Battery type	Automatic switch-off
3475840	KL-0880-20	-50 °C	+550 °C	1.5 %	0.5 sec.	1.5"	Red	0.1 to 1.0	AAA	30 sec.

KL-0840-100 K

DIGITAL BATTERY TESTER



Universally applicable for vehicles with 6/12/24 volt LEAD, GEL, AGM, EFB and LITHIUM batteries.

- For professional checking and logging of the status of the battery, generator and starter
- Supports 9 battery standards according to EN, DIN, IEC, SAE, CA, CCA, BCI, MCA and JIS
- Testing of the battery in assembled or disassembled state
- Test log output via thermal printer
- Real-time monitoring inside the vehicle by means of a 2.50 m measuring line
- Simple, menu-guided operation in 13 languages
- Fully insulated crocodile clips and integrated reverse polarity protection

Code	Part no.	Voltage range	Nominal capacity (min. - max.)	for battery type	Display	Operating temperature	Battery capacity	Weight
3477185	KL-0840-100 K	6 V / 12 V / 24 V	1 Ah - 260 Ah	AGM battery, AGM spiral cell battery, lead acid battery, EFB battery, GEL battery, lithium battery	3.2"	0- 50 °C	2.000 mAh	2.3 kg

MICRO-VIDEOSCOPES / VIDEOSCOPE

KL-0880-10 K

MICRO VIDEOSCOPE Ø 3.9 mm

Universally applicable on passenger cars, vans, commercial vehicles, buses, construction machinery, agricultural machinery.

- Enables quick and easy inspection of extremely difficult-to-access components
- For professional damage analysis on engines, transmissions, intake systems, etc.
- Extremely slim Ø 3.9 mm micro camera with 1280 x 720 pixels
- Dust- and water-proof lens with adjustable LED illumination
- ±180° swivel angle due to 2-way joint
- Live viewing via 5.0" HD colour display with zoom, rotate and mirror function
- Photo and video documentation with date and time stamp
- Incl. 8 GB microSD card and powerful 3.7 V lithium-polymer battery (5000 mAh)
- Connection with smartphone, tablet and laptop etc. possible
- Direct playback of photos and videos on the display

Features:

- ±180° swivel angle due to 2-way joint
- 1 m cable length
- 5" display
- 1280 x 720 pixel resolution
- LEDs (6 pcs. / 3 levels)
- Temperature range -10 °C – +60 °C
- 5,000 mAh lithium-polymer battery



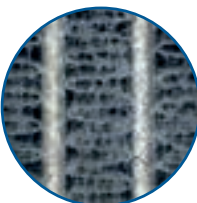
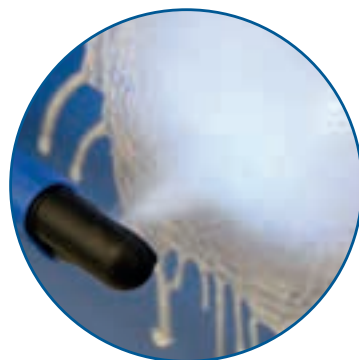
KL-8090-402

VIDEOSCOPE "SPECIAL OFFER"

KL-0880-10 K - Micro-VideoScope, Ø 3.9 mm see left.

KL-0870-10 K - Videoscope with cleaning function

- Enables the localisation and targeted removal of contamination
- Versatile use on the vehicle
- The transversely mounted camera with LED illumination and cleaning nozzle reaches even hard-to-reach places, e.g. the evaporator of the air-conditioning system
- Slim camera unit Ø 15x23 mm with powerful cleaning nozzle
- Dust- and water-proof lens with adjustable LED illumination
- For standard compressed air connection with 6 - 8 bar
- 250 ml container for cleaning fluids
- Live viewing via 3.5" colour display with zoom, rotate and mirror function
- Photo and video documentation with date/time stamp
- Incl. 8 GB microSD card and powerful 3.7 V lithium-polymer battery (1,650 mAh)
- Direct playback of photos and videos on the display



before



after



Code	Part No.	Swivel angle	Cable Ø (max.)	Length (cable)	Battery	Temperature range
3444910	KL-0880-10 K	+/- 180°	3.9 mm	1 m	5.000 mAh	-10 °C – +60 °C

Code	Part No.	Resolution	Swivel angle
3469913	KL-8090-402	1280x720 / 720x625	+/- 180°

NEW



KL-0880-11 K
360° MICRO VIDEOSCOPE Ø 3.9 mm with 4-way joint

Universally applicable on cars, vans, commercial vehicles, buses, construction machinery, agricultural machinery.

- Enables quick and easy inspection of extremely difficult-to-access components
- For professional damage analysis on engines, transmissions, intake systems, etc.
- Dust- and water-proof lens with adjustable LED illumination
- ±180° swivel angle in a 4-way articulation
- Live viewing via 5.0" HD colour display with zoom, rotate and mirror function
- Photo and video documentation with date and time stamp
- incl. 32 GB microSD card and powerful 3.7 V lithium-polymer battery
- Direct playback of photos and videos on the display

Features:

- ±180° in all directions (360°)
- 1.2 m cable length
- 5" display
- 1280 x 720 pixel resolution
- LEDs (6 pcs. / 5 levels)
- Temperature range -10 °C – +60 °C
- 6,000 mAh lithium-polymer battery
- Ergonomic handle
- Easy handling thanks to joystick and photo release by pistol trigger
- Camera lens protected against dust and water in accordance with IP67
- Storage in assembled state (handle and display)



NEW



Swivel angle	Angle	Cable Ø (max.)	Storage
30°	90°	3.9 / 23 mm	in a case

Code	Part No.	Swivel angle	Cable Ø (max.)	Length (cable)	Battery	Temperature range
3517381	KL-0880-11 K	+/- 180° (4-way)	3.9 mm	1.20 m	6,000 mAh	-10 °C – +60 °C

KL-4067-100 / -200

SOCKET WRENCH SET, ERP



KL-4067-100



Universally suitable for 5-edge EPR-TX Plus external profile screw fittings, such as Tesla, Ford, GM and many others, e.g. on electrical connections, high-voltage batteries, pyro fuses, bumpers, etc.

- For loosening and tightening screw connections
- Incl. strip

NEW

Suitability: universal, especially for:



KL-4067-200



Code	Part No.	Profile	Drive (square)	Content	Storage	Contents
3467880	KL-4067-100	ERP TX-Plus (pentagonal)	1/4"	EPR TX-Plus 6, 7, 8, 10, 11 mm	Plug-in bar	5
3468003	KL-4067-200	ERP TX-Plus (pentagonal)	3/8"	EPR TX-Plus 12, 14, 16, 18, 20 mm	Plug-in bar	5

KL-4007-260

DEFLECTION ADAPTER KIT, 90°, 6 pieces



Universally applicable in everyday workshop use.

- Unique deflection adapter kit for 1/4", 3/8" and 1/2" drives
- For reaching extremely difficult to reach bolt connections
- Enables an offset of the drive axle and deflection of the drive force
- Can also be combined with other adapters and extensions
- 2x deflection adapters each per size

Application example, not included in the scope of delivery



NEW



Application video



Code	Part No.	Drive (square)	Angle	Storage	Contents	Weight
3517330	KL-4007-260	1/4" 3/8" 1/2"	90°	in plastic insert	6	250 g

KL-4007-500

WRENCH EXTENSION,
universal, 380mm

Fits universally for hand tools.

- For a simple extension of spanners and hexagon L keys
- Also for hard-to-reach bolt connections

Suitability: universal



Code	Part No.	Length	Weight
3406504	KL-4007-500	380 mm	650 g

KL-4007-328

EXTENSION SET,
1/2", extra long



NEW



Universally applicable.

- 3-piece extension set for 1/2" drive
- Extra long version in 455 / 610 / 910mm
- Spring-loaded ball lock with lock function
- Ideal e.g. for gearboxes, drive and cardan shaft screw connections
- High flexural strength for hard permanent loads

Content:

- 1x 1/2"-Extension 455 mm
- 1x 1/2"-Extension 610 mm
- 1x 1/2"-Extension 910 mm



Code	Part No.	Output drive (square)	Drive (square)	Contents	Weight
3529908	KL-4007-328	1/2"	1/2"	3	3.5 kg

666-045

TORSION BIT SET,
45 pieces



- Comprehensive range with the most common bit profile sizes
- Bits with torsion zone to protect the bit profile from wear
- Colour coding simplifies profile recognition and assignment
- 1/4" square adapter for more flexibility

Code	Part No.	Length	Width	Height	Contents	Weight
3459519	666-045	190 mm	120 mm	45 mm	45	570 g

GEDORE  **red**

LOCKING TOOLS



- For precise positioning of the camshafts
- For locking the flywheel and timing belt pulley
- For professional adjustment of the timing
- With highly sensitive angle gauge for camshaft positioning
- No OBD interactions or complex diagnostic technology required

R68900200

TORQUE WRENCH



- Controlled bolt tightening
- Clearly audible and perceptible torque release
- Right-hand tightening and left-hand tightening by repositioning the mushroom head
- Square drive with ratchet mechanism
- Torque is set by turning the handle
- Very easy-to-read scale with magnifying glass for Nm, plus 1/10 scale for precise setting
- Triggering accuracy: +/- 3 % tolerance of the set scale value



Code	Part No.	Drive (square)	Torque range (min./max.)	Vernier	Precision	Return angle	Tightening direction	Length	Weight
3301217	R68900200	1/2"	40 Nm - 200 Nm	1 Nm	+/- 3 %	7,5°	Left and right	485 mm	1.4 kg
3301218	R68900300	1/2"	60 Nm - 300 Nm	1 Nm	+/- 3 %	7,5°	Left and right	575 mm	1.5 kg

R63043003

IMPACT SOCKET WRENCH SET

1/2", 3 pieces



- Especially for mounting/dismounting car wheels
- Plastic sleeves for damage-free work on aluminum rims
- Color coding facilitates identification
- Machine-operated, secured by retaining ring/pin
- In a sturdy plastic case



Code	Part No.	Drive (square)	Locking	Material	Length	Width	Height	Weight
3300578	R63043003	1/2"	Circlip and pin	Chrome-molybdenum steel	155 mm	135 mm	52 mm	830 g

R22071005

TOOL SET IN WORKSHOP TROLLEY

GEDMaster, 273 pieces



- Comprehensive range for industry, trade, automotive and the advanced DIY enthusiast
- Tools in metric dimensions
- Completeness check thanks to 2-colour foam inserts
- All drawers with full-extension runners and ball-bearing guide rails
- 7 drawers (internal dimensions W 563 x D 398 x H 70 mm / H 145 mm)
- Load capacity per drawer 40 kg
- Total load capacity 400 kg
- 2 x fixed castors Ø 140 mm and 2 x swivel castors Ø 100 mm (1x with total brakes)
- Side panels with Euro perforations 10 x 38 mm for attaching accessories



Code	Part No.	Number of drawers	Load capacity, drawer	Load capacity (static)	Colour	Material	Length	Width	Height	Weight
3301678	R22071005	7	40 kg	400 kg	RAL 9005	Sheet steel	790 mm	470 mm	999 mm	88.5 kg

R15002100

LOCKING TOOL KIT
with torque multiplier (Ford)

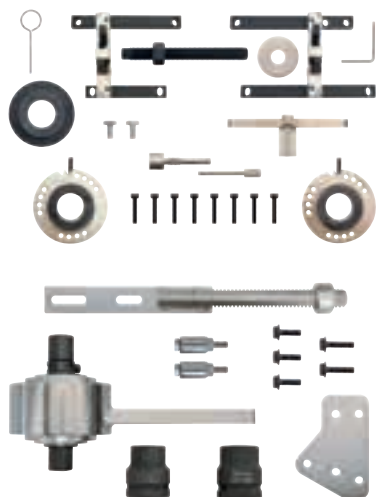
GEDORE  red



NEW

Suitable for 3 cylinder Ford 1.0 + 1.1 petrol engines.

- For locking the camshafts, crankshaft, timing belt tensioner and flywheel
- For adjusting the camshaft phasing unit
- For pressing in the crankshaft sealing ring
- Including torque multiplier



Suitability: **FORD**

Code	Part No.	for engine type	Storage	Width	Depth	Height	Weight
3301771	R15002100	Petrol	in a case	380 mm	350 mm	225 mm	14 kg

Also available separately:

Code	Part No.	for engine type	Storage	Content	Weight
3301769	R15003000	Petrol	in a case	Locking tool, Ford (1.0 / 1.1 EcoBoost)	6 kg
3301770	R15003001	Petrol	in a case	Torque Multiplier, Ford	8 kg

R15003005

LOCKING TOOL SET,
PSA/Stellantis (1.0 / 1.2, 3-cyl.)

GEDORE  red



Suitable for Citroën, Peugeot, Fiat and Opel with 1.0 / 1.2 (VTi, e-VTi, THP, PureTech) 3-cylinder petrol engines of the EB series (PSA/Stellantis) with internal timing belt running in oil.

- For locking the intake and exhaust camshaft, flywheel and timing belt tensioner
- For professional adjustment of the timing
- Includes test gauge to check the timing belt width for possible swelling
- To be used similarly to OEM no. 0109-2A, 0109-2B, 0109-2C, 0109-2D, 0109-2E, 0109-2E1, 0109-2E2, 0109-6, 0188-Q1, 0197-N, EN-52127-2

Suitability: **CITROEN** **FIAT** **OPEL** **PEUGEOT** **TOYOTA**

NEW



Code	Part No.	for engine type	Width	Depth	Height	Weight
3301782	R15003005	Petrol	470 mm	330 mm	100 mm	4.6 kg

R15003003

LOCKING TOOL SET, including digital angle gauge, VW-Audi (1.0 / 1.2 / 1.4 / 1.5 TSI/TFSI)

GEDORE red



Suitable for VW, Audi, Seat, Cupra and Škoda with 1.0 / 1.2 / 1.4 / 1.5 (TSI, TFSI) 3 and 4-cylinder petrol engines of the EA211 series.

- For precise positioning of the camshafts
- For locking the flywheel and timing belt pulley
- For professional adjustment of the timing
- With highly sensitive angle gauge for camshaft positioning
- No OBD interactions or complex diagnostic technology required
- Cost-effective and practical alternative solution to the OEM tool VAS 611 007
- Can be used in a similar way to OEM no. T10340, T10499, T10504/1

NEW



Suitability:



Code	Part No.	for engine type	Width	Depth	Height	Weight
3301780	R15003003	Petrol	470 mm	330 mm	100 mm	6.1 kg

R15003006

LOCKING TOOL SET, VW-Audi (1.0/1.2/1.4/1.6 FSI/MPI/TSI/TFSI)

GEDORE red



Suitable for VW, Audi, Seat and Škoda with 1.0 / 1.2 / 1.4 / 1.6 (FSI, TSI, TFSI, MPI) 3 and 4-cylinder petrol engines of the EA211 series.

- For locking the intake and exhaust camshaft, flywheel and positioning the timing belt tensioner
- For professional adjustment of the timing
- To be used similarly to OEM no. T10060 A, T10340, T10476, T10476 A, T10477, T10487, T10494, T10499, T10504, T10504/1, T10504/2

Suitability: **VW** **AUDI** **SEAT** **ŠKODA**

NEW



Code	Part No.	for engine type	Width	Depth	Height	Weight
3301783	R15003006	Petrol	470 mm	330 mm	100 mm	3.8 kg

R15003002

PNEUMATIC INJECTOR EXTRACTORGEDORE **red**

Universally suitable for diesel injectors from Bosch, Delphi, Denso, Siemens-VDO, Continental, Lucas, Magneti Marelli, etc.

- For easy removal of stuck diesel injectors
- High-frequency impact mechanism effectively removes coking and rust deposits
- Compact design for confined spaces
- Integrated stopcock for targeted regulation of the air supply
- Extensive selection of adapters for injectors with male or female threads
- Draw hook adapter with shaft diameter: 12 / 13.5 / 16 mm
- Also for extremely deep-seated injectors

Suitability: universal

NEW

Code	Part No.	for injectors from	for internal thread	for external thread	for engine type	Mounting thread	Drive type	Working pressure (max.)
3301779	R15003002	Bosch, Continental, Delphi, Denso, Lucas, Magnet-Marelli, Siemens/VDO	M8x1.0 / M8x1.25 / M10x1.5 / M12x1.5 / M17x0.75 / M17x1.0 / M18x0.75 / M20x1.0 / M22x1.5	M14x1.5 / M16x1.5 / M18x1.5 / M25x0.5 / M25x1.0 / M26x0.75 / M27x0.75 / M27x1.0 / M27x1.25 / M29x1.0 / M31x0.75	Diesel	M14x1.5	pneumatic	6.5 bar

Your dealer/stamp:

GEDORE
 KLANN EXPERIENCE

SOLUTIONS NEWS + PROMOTION
 valid from 01.09. – 31.12.2025
 Only while stock lasts.

Delivery without decoration.
 Subject to technical changes.
 For all details, please ask your local dealer.

GEDORE Automotive GmbH
 Breslauer Straße 41 | 78166 Donaueschingen | GERMANY
 Tel. +49 771 83223-0 | info.gam@gedore.com

250516ENoP, CODE 3536653

gedore-automotive.com