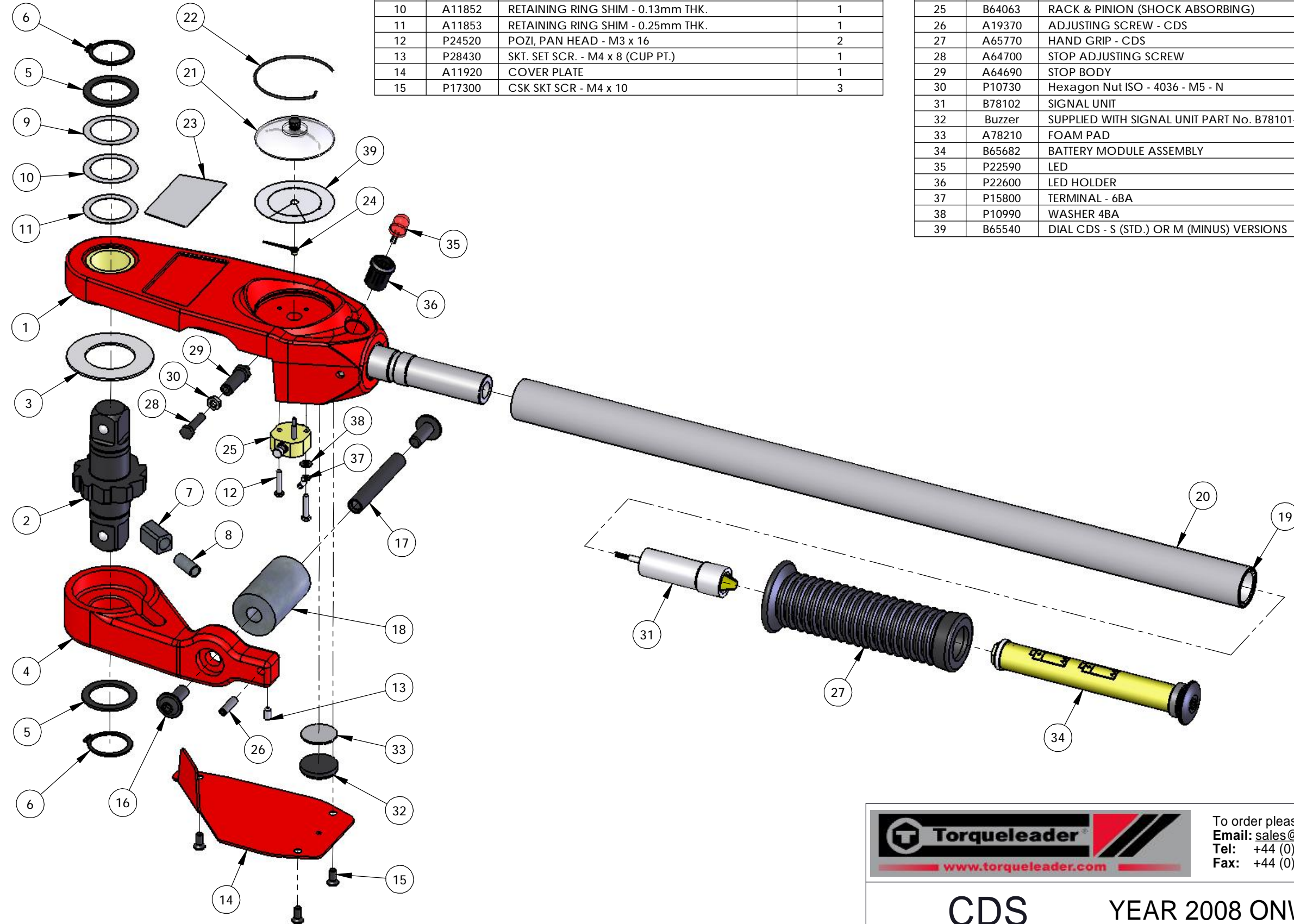


| ITEM NO. | PART NUMBER | DESCRIPTION | SPARE PARTS LIST/QTY. |
|----------|-------------|--------------------------------------|-----------------------|
| 1 | D65910 | BODY TOP HALF & HANDLE STUB SUB-ASSY | 1 |
| 2 | A13050 | CDS 3/4in RATCHET SPINDLE - SUB ASSY | 1 |
| 3 | A12070 | THRUST WASHER | 1 |
| 4 | D12760 | M/C DETAILS LOWER HALF | 1 |
| 5 | A11840 | RETAINING RING WASHER | 2 |
| 6 | P10710 | CIRCLIP NA3100-100P | 2 |
| 7 | A11820 | PAWL | 1 |
| 8 | A11830 | PAWL SPRING | 1 |
| 9 | A11851 | RETAINING RING SHIM - 0.05mm THK. | 1 |
| 10 | A11852 | RETAINING RING SHIM - 0.13mm THK. | 1 |
| 11 | A11853 | RETAINING RING SHIM - 0.25mm THK. | 1 |
| 12 | P24520 | POZI, PAN HEAD - M3 x 16 | 2 |
| 13 | P28430 | SKT. SET SCR. - M4 x 8 (CUP PT.) | 1 |
| 14 | A11920 | COVER PLATE | 1 |
| 15 | P17300 | CSK SKT SCR - M4 x 10 | 3 |

| ITEM NO. | PART NUMBER | DESCRIPTION | SPARE PARTS LIST/QTY. |
|----------|-------------|---|-----------------------|
| 16 | P19270 | FLANGED HEAD SKT. BUTTON SCREW M8x20 LG. | 2 |
| 17 | A90740 | TIE SHAFT | 1 |
| 18 | A11890 | MAIN SPRING | 1 |
| 19 | B65660 | HANDLE - CDS SIGNAL | 1 |
| 20 | P16020 | HEAT SHRINK TUBING - 1 1/4in GREY | 1 |
| 21 | B66462 | WINDOW ASSY - SIGNAL | 1 |
| 22 | A10460 | WINDOW CIRCLIP | 1 |
| 23 | B94713 | TOOL LABELS | 1 |
| 24 | A66432 | HAND ASSY - BDS, CDS, DDS & EDS | 1 |
| 25 | B64063 | RACK & PINION (SHOCK ABSORBING) | 1 |
| 26 | A19370 | ADJUSTING SCREW - CDS | 1 |
| 27 | A65770 | HAND GRIP - CDS | 1 |
| 28 | A64700 | STOP ADJUSTING SCREW | 1 |
| 29 | A64690 | STOP BODY | 1 |
| 30 | P10730 | Hexagon Nut ISO - 4036 - M5 - N | 1 |
| 31 | B78102 | SIGNAL UNIT | 1 |
| 32 | Buzzer | SUPPLIED WITH SIGNAL UNIT PART No. B78101-4 | 1 |
| 33 | A78210 | FOAM PAD | 1 |
| 34 | B65682 | BATTERY MODULE ASSEMBLY | 1 |
| 35 | P22590 | LED | 1 |
| 36 | P22600 | LED HOLDER | 1 |
| 37 | P15800 | TERMINAL - 6BA | 1 |
| 38 | P10990 | WASHER 4BA | 1 |
| 39 | B65540 | DIAL CDS - S (STD.) OR M (MINUS) VERSIONS | 1 |



| DATE | ISSUE |
|-----------|-------|
| 12/5/08 | 1 |
| REVISIONS | |



To order please contact
 Email: sales@torqueleader.co.uk
 Tel: +44 (0)1483 892772
 Fax: +44 (0)1483 898536

CDS

YEAR 2008 ONWARDS