



TOOLS FOR LIFE

formerly TORQUELEADER

## Wrenches To Be Used With Signal Transmission Systems

DATA SHEET: 013  
DATE: 09/16

Issue No: 6  
No of Pages: 1 of 3



### Torque Wrenches For Use With Signal Systems

Any of the range of TBN, TSN & TSP tools can be fitted with a switch signal system.

The basic PR tools can be purchased separately, for later conversion, or complete tools can be supplied with a signal option already fitted, the tables on the following page list all the possible alternatives and the abbreviations used in the tables have the following meanings:

PR	Basic "Push Rod" tool.
SW	Tool fitted with Switch and Cable option.
G	German 9x12 type end fitting adaptor.
W	Dovetail type end fitting adaptor.

\*\* Order Code will be different if tool is ordered with coiled 'telephone' cable

#### GEDORE TORQUE LTD

Registered in England No. 333313. Reg. Office as above. VAT Reg. No. GB 211 6880 79  
Bankers: Lloyds TSB Bank Plc, Guildford GU1 3AG.

Sort Code: 30-93-74

GB£ Sterling: A/c No: 03784928

Euro Bank: A/c No: 86159188

IBAN: GB 30 LOYD 30937403784928

IBAN: GB 56 LOYD 30937486159188



0632

BS EN ISO  
9001:2008



FM00363

## TSP & TSN Slipping Torque Wrenches

Basic PR Wrenches		Switch Module To convert PR to SW	Standard Straight Cable & Plug	Coiled Cable & Plug	Complete SW Tool Order Code
Model	Order Code				
TSP5/45	056097	B25900	D94402	D94406	056093
TSP10/90	056107	B25900	D94402	D94406	056103
TSN25D	011067	B25900	D94402	D94406	011003
TSN25A	011017	B25900	D94402	D94406	011013
TSN55	011087	B25900	D94402	D94406	011033
TSN125	011097	B25900	D94402	D94406	011053

## TBN Breaking Torque Wrenches

Basic PR "push rod" Wrenches		Switch module to convert PR to SW Order Code	Standard straight cable & plug Order Code	Coiled Cable & Plug Order Code	Complete "Sw" Tool Order Code
Mode	Order Code				
TBN2 PR	011107	B25900	D94402	D94406	011103
TBN2G PR	011117	B25900	D94402	D94406	011113
TBN10 PR	011207	B25900	D94402	D94406	011203
TBN10 G PR	011217	B25900	D94402	D94406	011213
TBN25 PR	050007	B25900	D94402	D94406	050003
TBN25 G PR	050017	B25900	D94402	D94406	050013
TBN25 W PR	050037	B25900	D94402	D94406	050033
TBN65 PR	050107	B25900	D94402	D94406	050103
TBN65 G PR	050117	B25900	D94402	D94406	050113
TBN65 W PR	050137	B25900	D94402	D99406	050133
TBN135 PR	050207	B25900	D94402	D99406	050203
TBN135 G PR	050217	B25900	D94402	D99406	050213
TBN135 W PR	050237	B25900	D94402	D99406	050233

### **GEDORE TORQUE LTD**

Registered in England No. 333313. Reg. Office as above. VAT Reg. No. GB 211 6880 79  
Bankers: Lloyds TSB Bank Plc, Guildford GU1 3AG.

**Sort Code:** 30-93-74

**GB£ Sterling:** A/c No: 03784928

**Euro Bank:** A/c No: 86159188

**IBAN:** GB 30 LOYD 30937403784928

**IBAN:** GB 56 LOYD 30937486159188



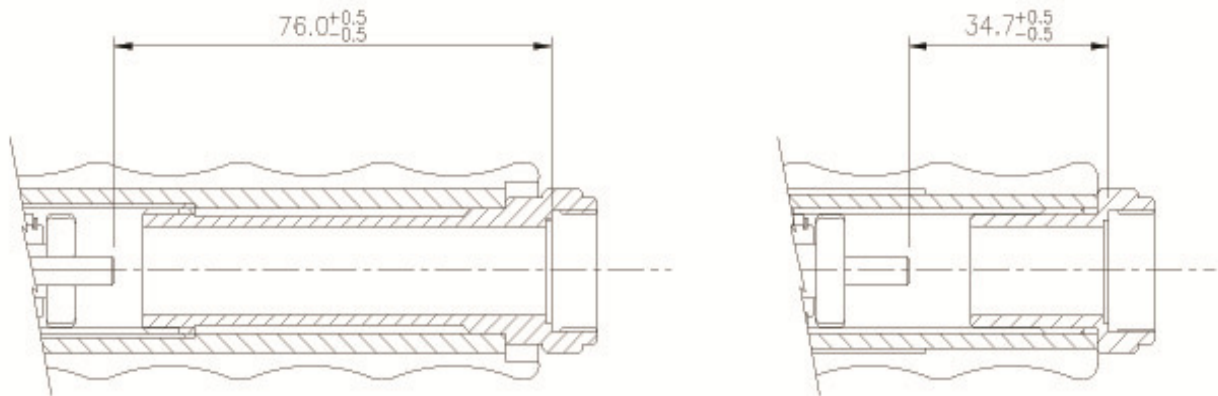
BS EN ISO  
9001:2008



## Checking The Position Of The Push Rod

The length of the push rod for each type of wrench is set during manufacture and cannot be altered without dismantling the tool, which should only be done at Gedore Torque Ltd or by one of our trained distributors. Occasionally, it may be felt necessary to check the position of the end of the push rod relative to the switch adaptor as a precautionary measure. The procedure is as follows:-

Remove the signal transmitter from the wrench handle, but leave the adapter bush in place, measure the distance from the bottom of the lower recess to the top of the switch actuator Push Rod. This dimension should be either between 75.5 and 76.5 mm (TSN125 can be as much as 77.0mm) or between 34.2 and 35.2 mm depending on whether a 'long' or 'short' device is fitted.



If it is not, the Push Rod length will need to be altered, which involves dismantling the wrench. This should only be done at MHH or by one of our trained Distributors.

### **GEDORE TORQUE LTD**

Registered in England No. 333313. Reg. Office as above. VAT Reg. No. GB 211 6880 79  
Bankers: Lloyds TSB Bank Plc, Guildford GU1 3AG.

**Sort Code:** 30-93-74

**GB£ Sterling:** A/c No: 03784928

**Euro Bank:** A/c No: 86159188

**IBAN:** GB 30 LOYD 30937403784928

**IBAN:** GB 56 LOYD 30937486159188



**0632**

**BS EN ISO  
9001:2008**



**FM00363**